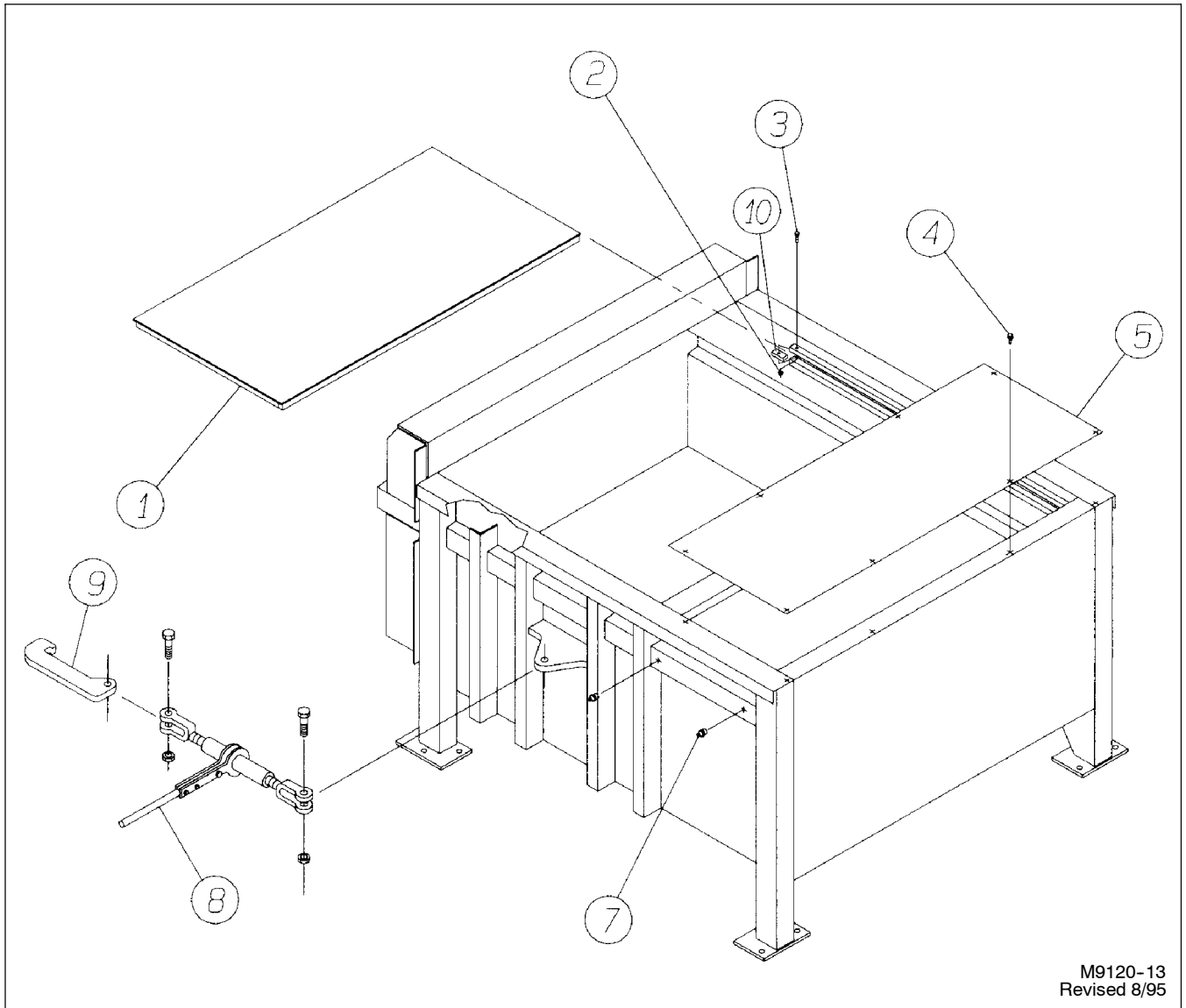


COVER PLATES & TURNBUCKLE ASSEMBLY

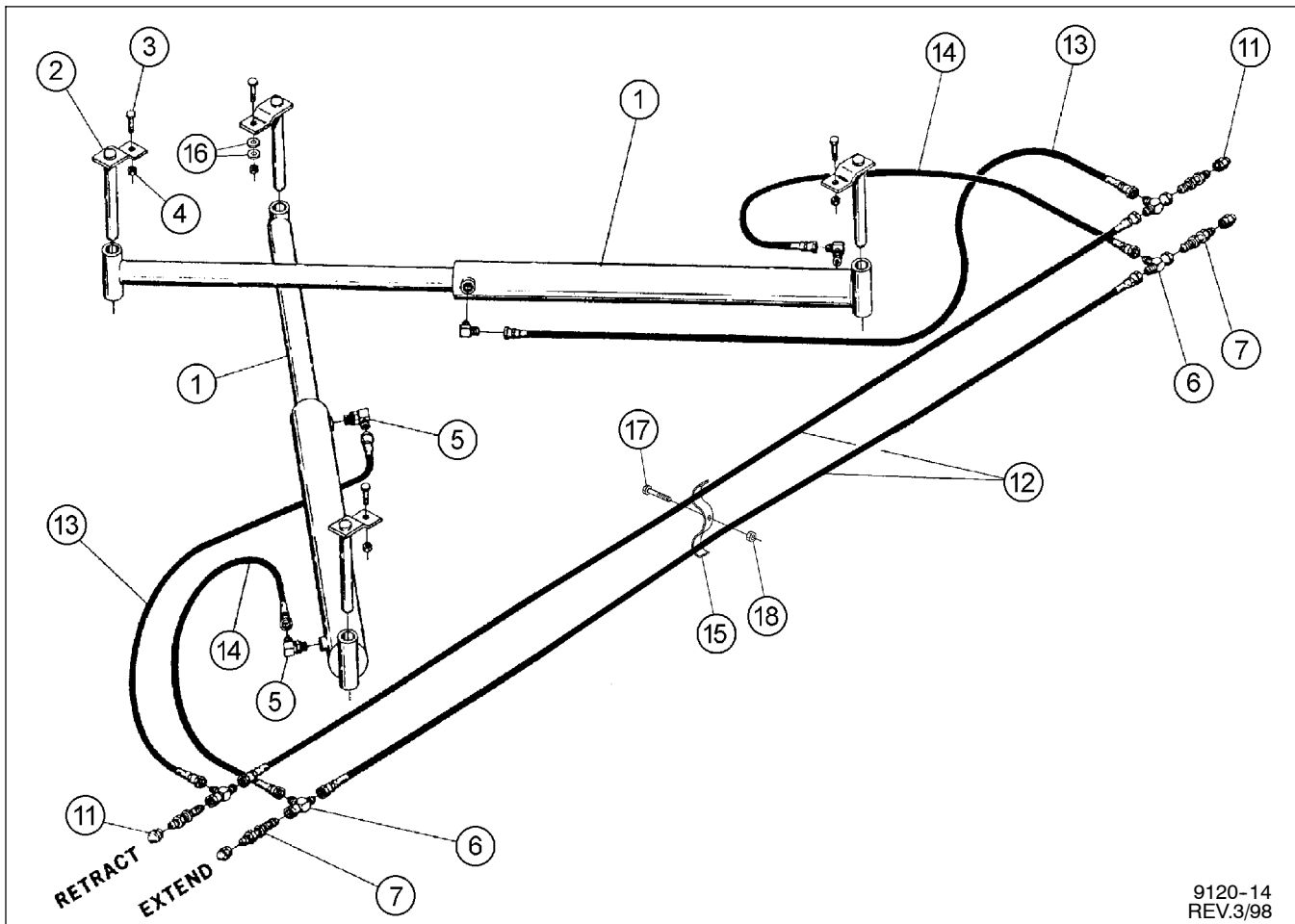


FOR MODELS - ALL

8/95

Item	Part Number	Part Description	Qty.
1	9120-27-0	Slide Cover Weldment	1
2	63-103	3/8NC Hex Lock	2
3	62-544	3/8NC x 2" GD. 5 Cap Screw	2
4	62-425	3/8NC x 3/4" Hex Washer Thread Cutting Screw	24
5	9120-1-10	Top Cover Plate	1
6			
7	65-110	1/8NPT Thread Cutting Zerk	4
8	70-211	Turnbuckle Assembly	2
9	9120-1-1A	Box Lug	2
10	9120-1-3	Block	2

HYDRAULIC HOSES & FITTINGS



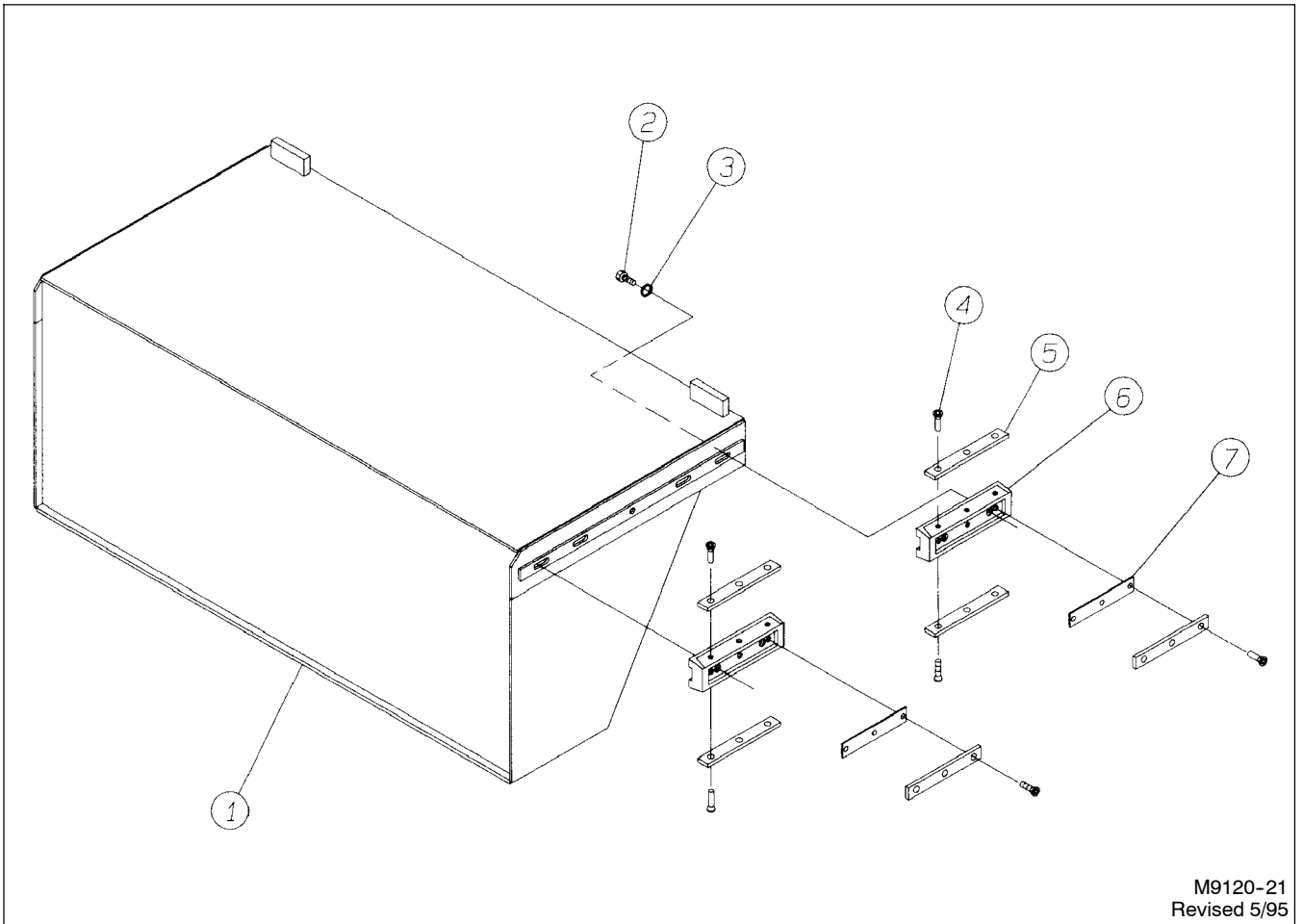
9120-14
REV.3/98

FOR MODELS - ALL

6/07

Item	Part Number	Part Description	Qty.
1	21-156	4" x 37" By-Pass Hydraulic Cylinder (Prince)	2
	23-106	4" x 37" By-Pass Hydraulic Cylinder (Energy)	2
2	9035-28-0	Cylinder Pin Weldment	4
3	62-414	1/2NC x 1-3/4" GD.5 Cap Screw	4
4	63-107	1/2NC Self Locking Nut	4
5	25-301	O-Ring 37° Flare 90° Ell	4
6	25-307	37° Male / Female Tee	4
7	25-365	3/4" Bulkhead Union with Lock Nut	4
8			
9			
10			
11	26-364	3/4" Cap Nut	4
12	24-303R	1/2" x 58" Black 2W JIC Hose	2
13	24-376	1/2" x 48" JIC Hose	2
14	24-3036	1/2" x 30" JIC Hose	2
15	9274-120-2	3/4" I.D. Hose Clamp	1
16	64-108	3/8" STD Flat Washer	2
17	62-111	3/8NC x 1-1/2" GD5 Cap Screw	1
18	63-103	3/8NC Lock Nut	1

RAM ASSEMBLY

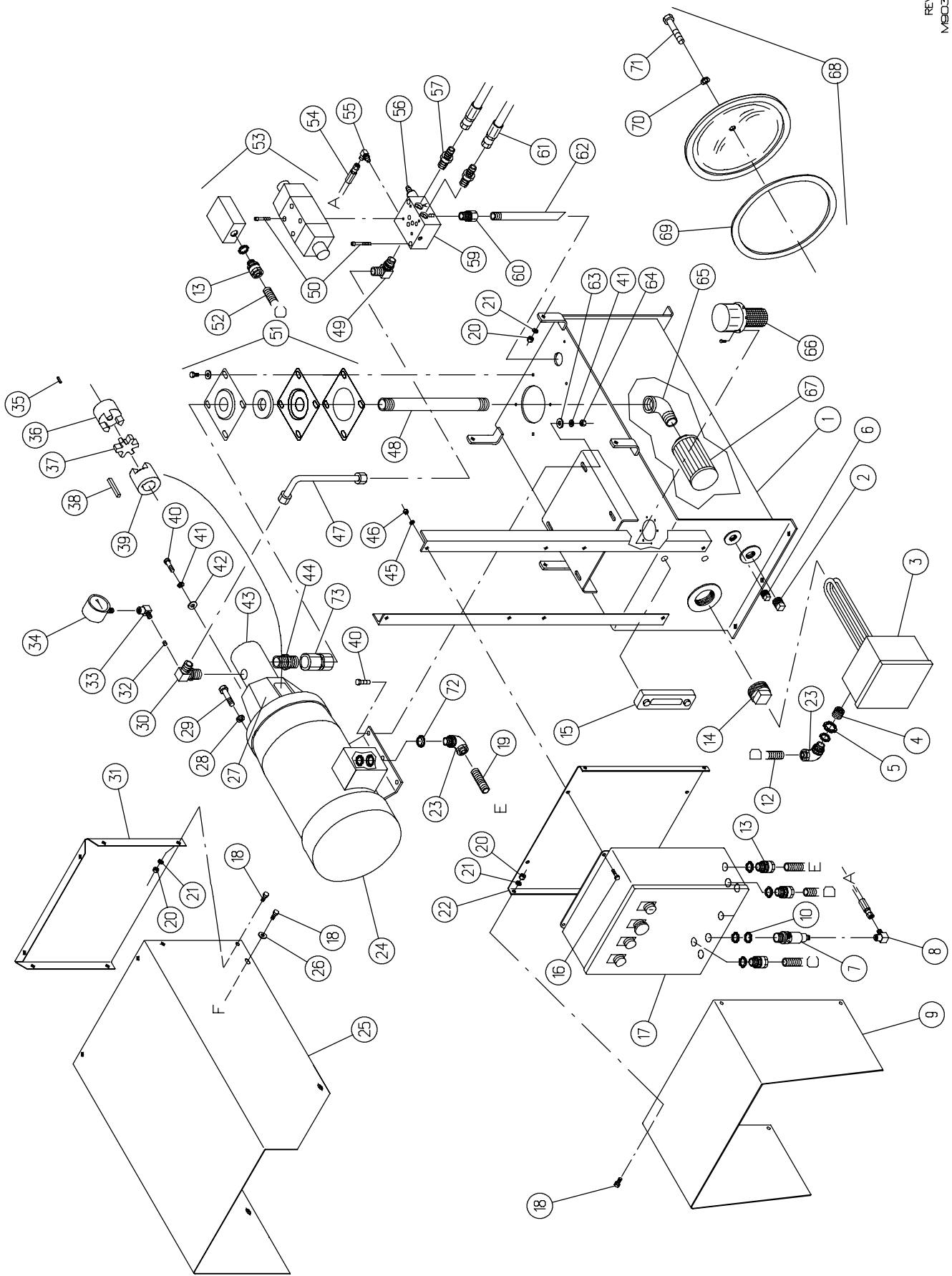


M9120-21
Revised 5/95

FOR MODELS - ALL

1/97

<i>Item</i>	<i>Part Number</i>	<i>Part Description</i>	<i>Qty.</i>
	9120-13-0A	Ram Assembly	1
1	9120-14-0A	Ram Weldment	1
2	62-614	1/2NC x 1-1/2" GD.5 Locking Cap Screw	8
3			
4	62-523	1/4NC x 3/4" Hex Socket Flat Countersunk Head Screw	36
5	9120-13-5A	Wear Strip	12
6	9120-13-2	Slide Block Casting	4
7	9120-13-3	Shim - 1/8" (.125)	Spec.
	9120-13-4	Shim - 16 Ga. (.060)	Spec.
	9120-13-6	Shim - 22 Ga. (.030)	Spec.



10 HP 3-PHASE POWER PACK ASSEMBLY - BY-PASS (Serial #3000 & ON)

FOR MODELS - ALL

6/07

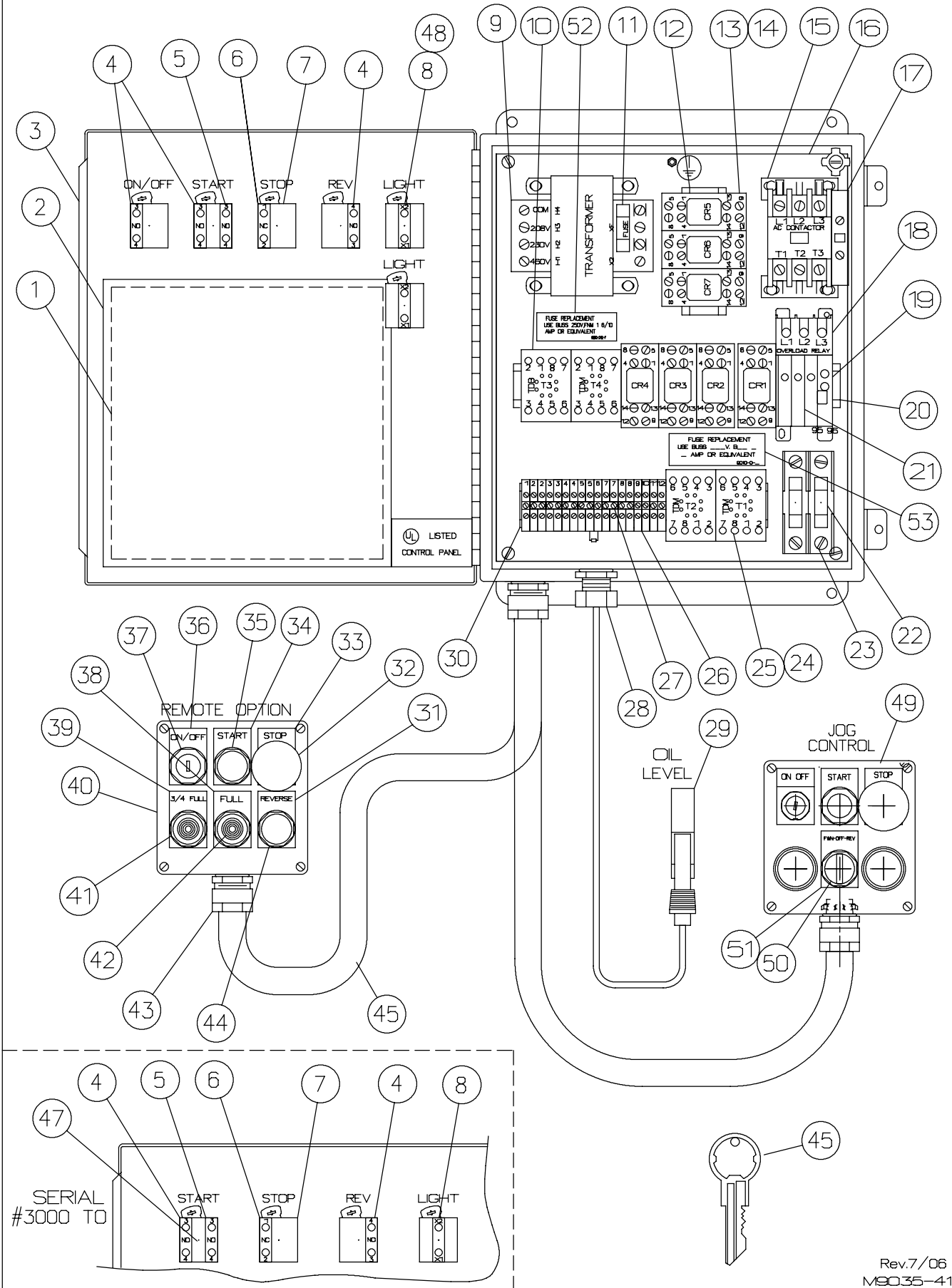
Item	Part Number	Part Description	Qty.
1	9010-2-0A	Hydraulic Tank Weldment	1
2	75-137	Blk. Pipe Plug	1
3	79-282	Oil Heater	1
4	79-287	Reducer	1
5	79-285	Sealing Lock Nut	1
6	75-177	Blk. Pipe Plug	1
7	25-2534	Pressure Switch	1
8	25-456	7/16JIC(M)-1/4NPT(F)90° Fitting	1
9	9010-208-1	Hood	1
10	79-218	1/2NPS Lock Nut	2
11			
12	■ 79-196	1/2"Liquitite Flex Metal Hose-24"	1
13	79-283	Conduit Fitting	4
14	75-160	2NPT Pipe Plug	1
15	25-235	Sight Gauge	1
16	62-417	1/4NC x 1" Cap Screw	4
17	See page P6	Power Panel Assembly	
18	62-486	5/16NC x 3/4" Cap Screw	14
19	■ 79-196	1/2"Liquitite Flex Metal Hose-17"	1
20	63-135	5/16NC Hex Nut	14
21	64-148	5/16" STD. Lock Washer	14
22	9010-208/460-3	Back Plate	1
23	79-302	3/4 x 90° Liquitite Adaptor	2
24	79-303	Electric Motor	1
25	9010-5-1	Hood	1
26	64-102	5/16" STD. Flat Washer	4
27	9010-4-1	Motor/Pump Adapter Casting	1
28	64-107	1/2" STD. Lock Washer	4
29	62-343	1/2NC x 2" Cap Screw	4
30	25-380	1-1/16"OR-7/8JIC 90° Fitting	1
31	9010-5-2	End Panel	1
32	75-168	1/8NPT Pipe Plug	1
33	25-182	1/8NPT(M)-1/4NPT(F)90° Fitting	1
34	25-2119	Hydraulic Pressure Gauge	1
35	69-109	5/32" Square Key	1
36	82-162	Pump Coupler	1
37	82-149	Spider	1
38	69-110	5/16" Square Key	1
39	82-150	Motor Coupler	1
40	62-436	3/8NC x 1-1/4" GD. 5 Cap Screw	2
41	64-103	3/8" STD. Lock Washer	2
42	64-165	3/8" SAE Flat Washer	2
43	25-2216	Hydraulic Pump	1
44	25-350	1-5/16 (M) OR - 1-5/16 (M) JIC	1
45	64-100	1/4" STD. Lock Washer	4
46	63-100	1/4NC Hex Nut	4
47	24-425	Hydraulic Tube - Steel	1
48	75-188	Pipe Assembly - 10"	1

Item	Part Number	Part Description	Qty.
49	25-378	7/8OR(M) - 7/8JIC(M) 90° Fttg.	1
50	62-564	1/4NC x 2" Socket Head Bolt	6
51	25-2206	Suction Flange Assembly	1
52	■ 79-196	1/2"Liquitite Flex Metal Hose-42"	1
53	★ 25-2220	Hydraulic Valve	1
54	24-502R	Hose Assembly - 46" Long	1
55	25-368	7/16OR(M)-7/16JIC(M) 90° Fttg.	1
56	25-2218	Relief Cartridge	1
57	25-379	7/8OR(M)-3/4JIC(M)Straight Ftg.	2
58			
59	25-2209	Hydraulic Valve Sub Plate	1
60	25-196	7/8OR (M) - 1/2NPT (F) Fitting	1
61	24-383R	Hose - 1/2" DIA. x 144"	2
62	9010-1-2	Return Pipe	1
63	64-104	3/8" STD. Flat Washer	4
64	63-102	3/8NC Hex Nut	4
65	75-173	1NPT Street Elbow 90° Fitting	1
66	25-215	Filler Cap Assembly	1
67	25-2106	Sump Filter	1
68	25-2207	Clean-Out Cover (w/Gasket)	1
69	25-2229	12" Cover Gasket (Flat Bond On)	1
70	25-2123	Crush Washer	1
71	62-409	5/8NC x 3" GD5 Cap Screw	1
72	79-229	Washer 3/4" to 1/2"	2
73	25-468	1-5/16(F) JIC - 1NPT (F)Swivel	1

★ No individual service parts available

■ This is a bulk quantity item. You must specify length required when ordering.

10 HORSEPOWER 3-PHASE POWER PANEL - BY-PASS



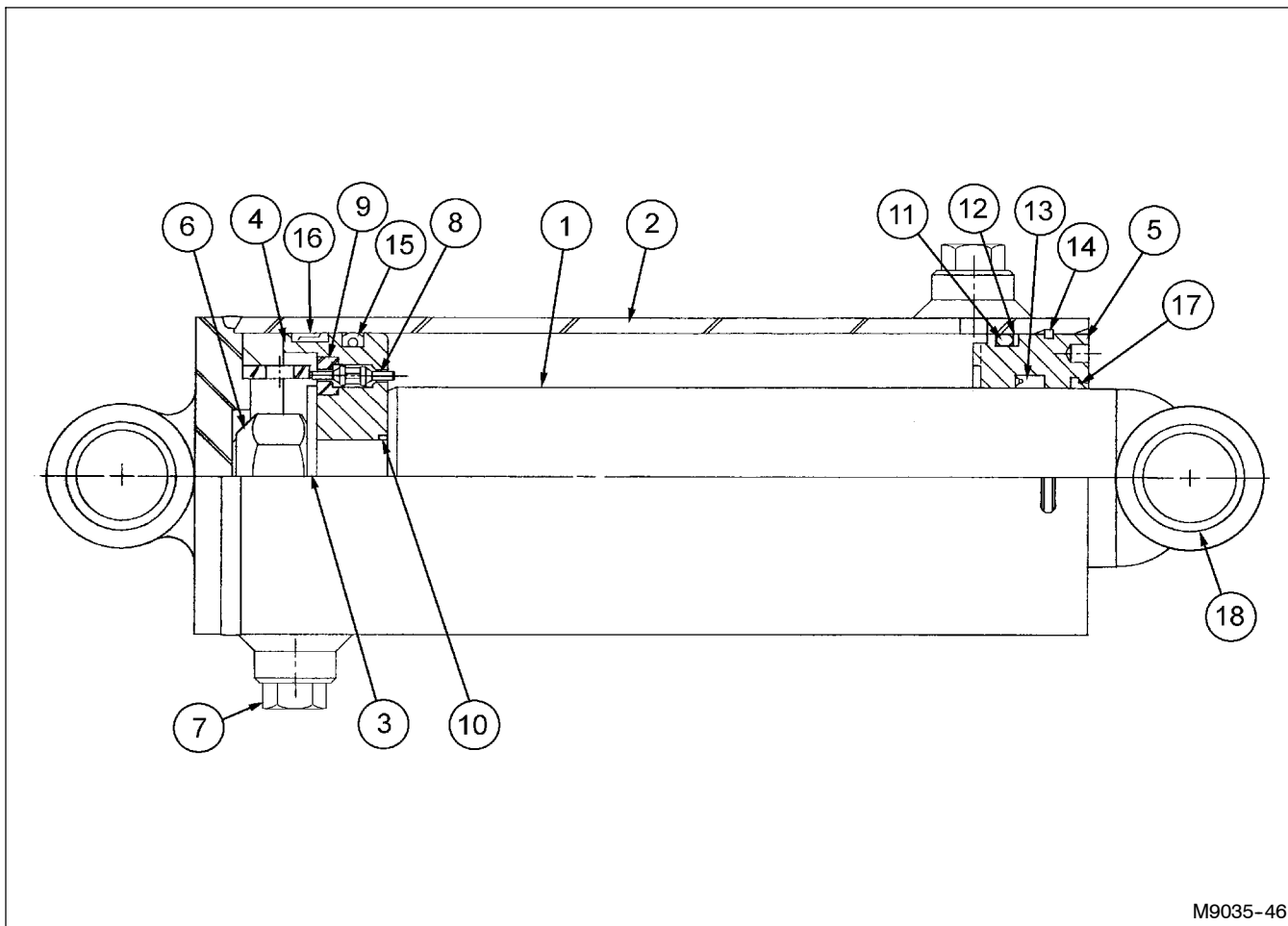
Rev.7/06
M90.35-41

10 HORSEPOWER 3-PHASE POWER PANEL - BY-PASS (Ser.#3000 & ON) 6/07

Item	Part Number	Part Description	Qty.
1		Electrical Schematic - Specify Voltage & Options	1
2	9010-210-8	Plastic Seal	1
3	79-198	Control Box UL 14" x 12" x 6"	1
4	79-352	N.O. Contact Block	3
5	79-354	N.O. Early Close Contact Block	1
6	79-353	N.C. Contact Block	1
7	79-445	Mounting Adapter	Spec.
8	79-348	Pilot Light - 120V Unit	1
9	79-304	Transformer 150V Tri-Volt	1
10	79-340	Timer 8 Pin (Delay on Break)	1
11	79-309	Fuse 1-6/10 Amp FNM	1
12	9010-210-9	Din Rail, Relays	1
13	79-357	Relay	Spec.
14	79-358	Relay Socket	Spec.
15	79-339	A.C. Contactor - 10HP	1
16	9010-210-2	Back Panel	1
17	79-338	Auxiliary Contact	1
18	79-337	Din Rail and Panel Adapter	1
19	79-334	Overload Relay	1
20	9010-210-3	Din Rail - Relay, O.L.	1
21	79-336	Heater Pack (23.5 - 32 Amp) 208V, 230V	3/Pkg
	79-335	Heater Pack (14.0 - 21.7 Amp) 460V	3/Pkg
22	79-290	Fuse - 8 Amp 208V, 230V	2
	79-291	Fuse - 4 Amp 460V	2
23	79-289	Fuse Base	1
24	79-501	8 Pin Timer Base	Spec.
25	79-481	Timer 8-Pin Delay on Make	Spec.
26	79-344	1 Pole Terminal Block	Spec.
27	79-359	Link Rail - 2 Terminal	Spec.
28	79-443	Straight Cord Connector	1
29	79-438	Oil Level Switch	1
30	9010-210-4	Din Rail - Terminal Block	1
31	79-325	Legend Plate - Reverse	1
32	79-346	Mushroom Operator - Stop	1
33	79-322	Legend Plate - Stop	1
34	79-320	Legend Plate - Start	1
35	79-512	Green Operator (START)	1
36	79-426	Legend Plate - ON/OFF	1
37	79-425	Keyed 2-Position Switch (Maintained)	1
38	9010-211-2	Legend Plate - Full	Spec.
39	9010-211-3	Legend Plate - 3/4 Full	1
40	79-449	Push Button Enclosure (6 Hole)	1
41	79-349	Pilot Light (Amber)	1
42	79-350	Pilot Light (Red) Lense	1
43	79-283	Adapter Straight Liquitite	2
44	79-347	Black Operator (Reverse)	1
45	■ 79-196	Hose 1/2" Liquitite Flex Metal - 15 Ft.	1
46	79-387	Switch Key	1
47	79-345	Keyed 2-Position Switch (START)	1
48	79-409	Replacement Bulb (60V-1.2V)	1
49	9011-89-0	Jog Control	1
50	79-468	Black Selector Switch	1
51	79-470	Legend Plate, FWD-OFF-REV	1
52	9010-210-7	Fuse Replacement Decal - 1 6/10 Amp	1
53	9010-0-4	Fuse Replacement Decal - 4 Amp	1
	9010-0-8	Fuse Replacement Decal - 8 Amp	1

■ This is a bulk quantity item. You must specify length required when ordering.

PRINCE HYDRAULIC CYLINDER ASSEMBLY

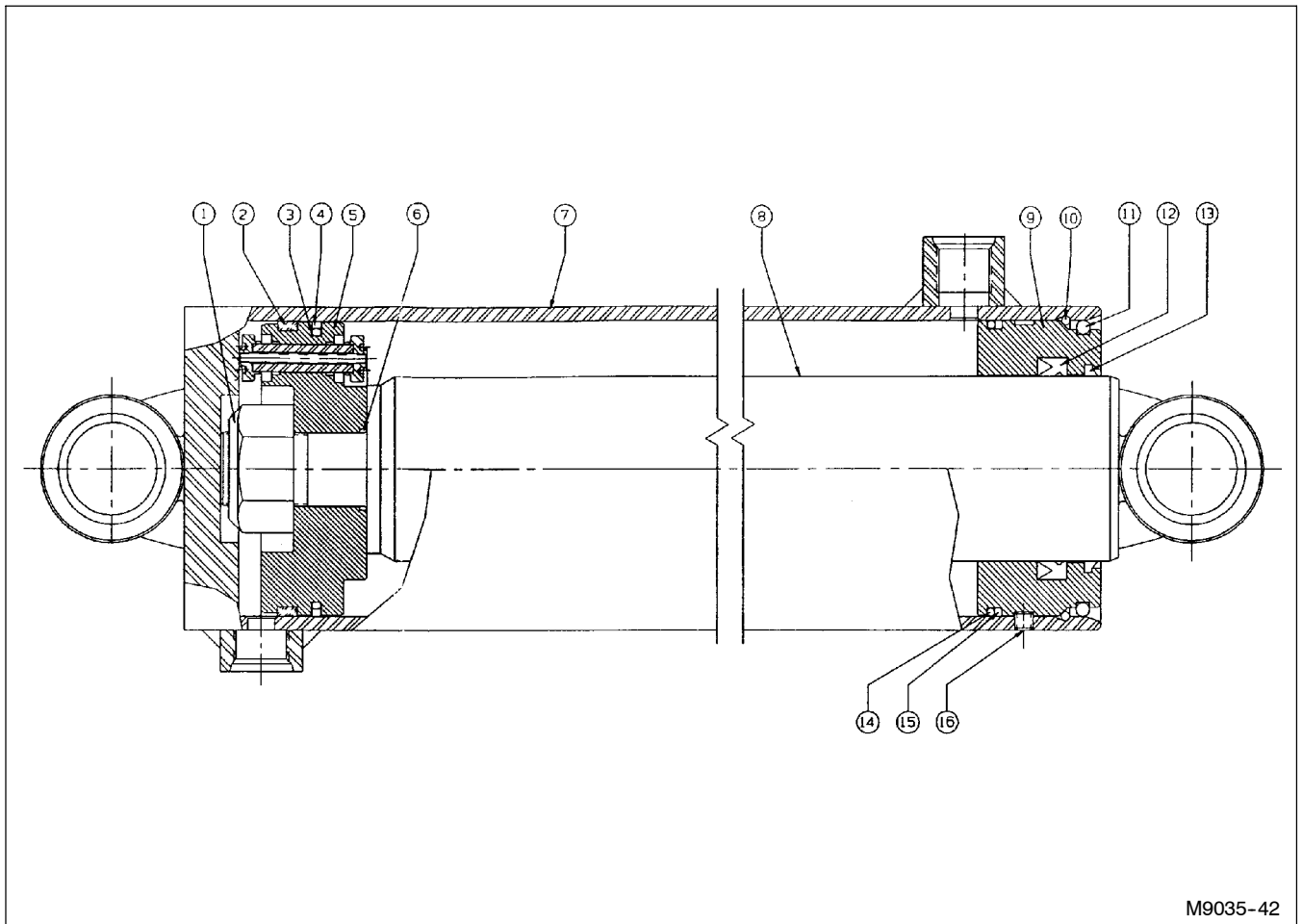


M9035-46

21-156 4" x 37" Prince By-Pass Cylinder Assembly 3/98
 Retracted - 43-1/2" Extended - 80-1/2" Stroke - 37" Rod Diameter - 2-1/2"

Item	Part Number	Part Description	Qty.
1		Piston Rod Assembly	1
2		Butt & Tube Assembly	1
3		Steel Washer	1
4		Piston	1
5		Gland	1
6		Lock Nut	1
7		Plug	2
8		Poppet	6
9		Seat	6
10	★	O-Ring	1
11	★	O-Ring	1
12	★	Back-Up Washer	1
13	★	U-Cup	1
14	★	Square Retaining Ring	1
15	★	Crown Seal	1
16	★	Bearing Ring	1
17	★	Wiper	1
18		Bushing	2
	● 21-2050	Seal Kit (★ Included in Kit)	
	●	Not part of cylinder assembly	

ENERGY HYDRAULIC CYLINDER ASSEMBLY

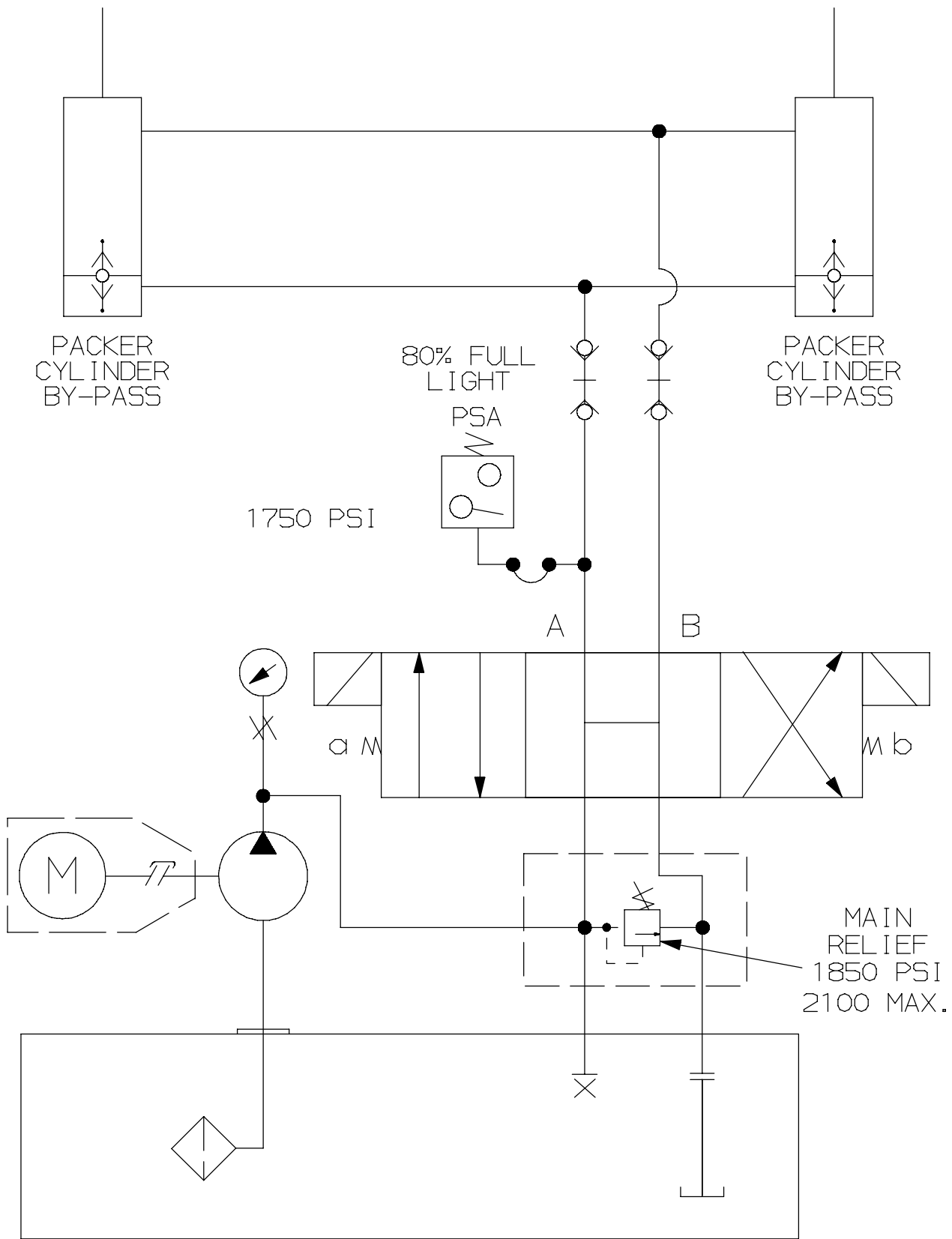


M9035-42

23-106 4" x 37" Energy By-Pass Cylinder Assembly 3/98
 Retracted - 43-1/2" Extended - 80-1/2" Stroke - 37" Rod Diameter - 2-1/2"

Item	Part Number	Part Description	Qty.
1		Lock Nut	
2	★	Wear Ring	
3	★	O-Ring	
4	★	Piston Ring	
5		Piston	
6	★	O-Ring	
7		Cylinder Body	
8		Rod	
9		Guide	
10		Retaining Ring	
11	★	O-Ring	
12	★	U-Cup	
13	★	Wiper Ring	
14	★	O-Ring	
15	★	Back-Up Ring	
16	★	Set Screw	
	● 23-234	Seal Kit (Includes ★ Items)	
	●	Not part of cylinder assembly	

HYDRAULIC SCHEMATIC - 10HP BY-PASS



REV. 10/05
M9035-44

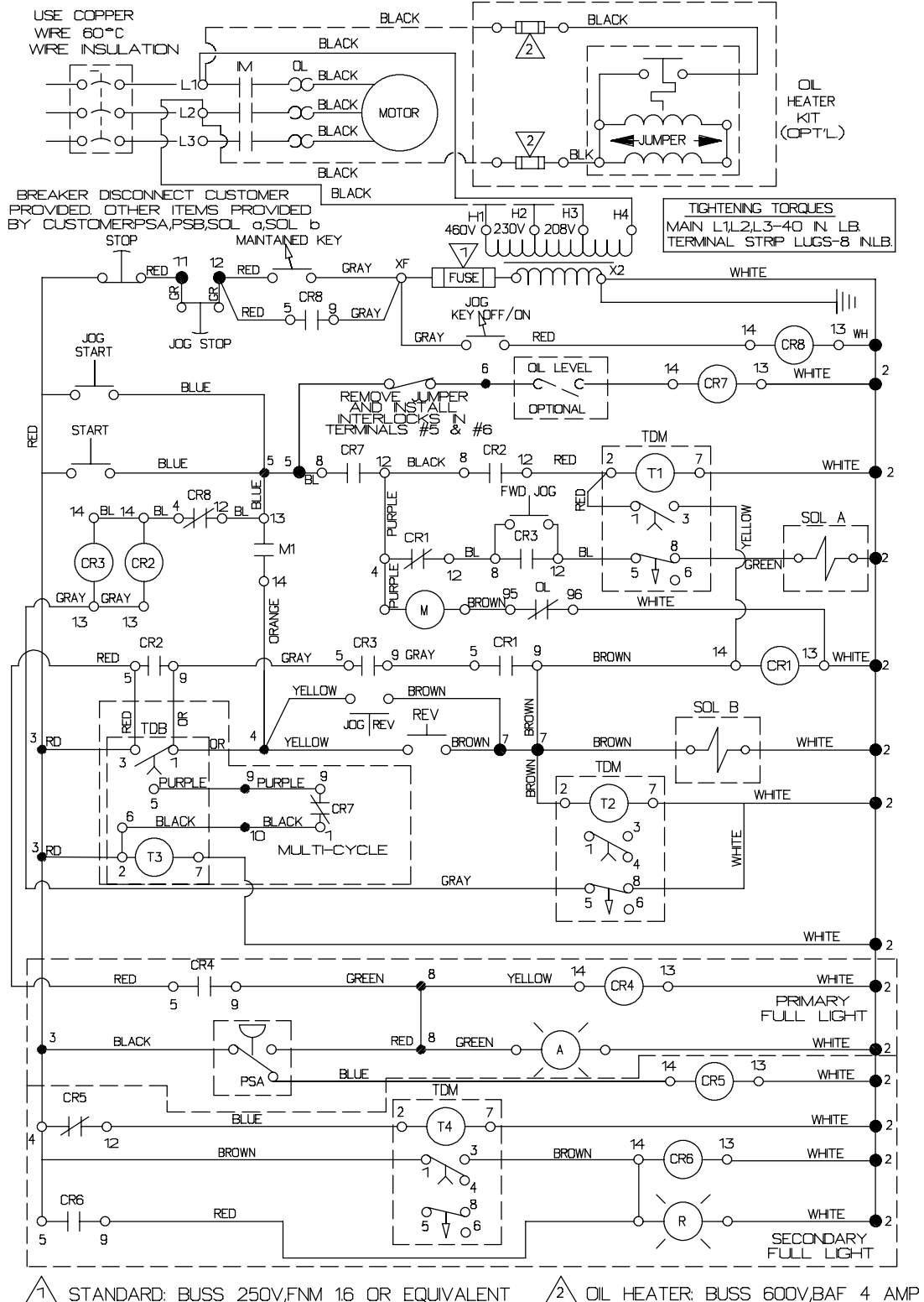
K-PAC EQUIPMENT DIVISION

KRAUSE CORPORATION, INC.

10 HP, 3 PHASE, 60 HZ (BY-PASS)

208 VOLT, 31 AMP / 230 VOLT 28 AMP / 460 VOLT, 14 AMP
CONTROL VOLTS 115

MULTI-CYCLE, LIGHT, LIGHT ELECTRICAL SCHEMATIC (OIL HEATER, OIL LEVEL OPTIONAL)



① STANDARD: BUSS 250V, FNM 16 OR EQUIVALENT ② OIL HEATER: BUSS 600V, BAF 4 AMP

NOTE: MOTOR ROTATION MUST BE CLOCKWISE. CONNECT POWER LEADS TO L1, L2 & L3.
CHECK ROTATION OF MOTOR. IF COUNTER-CLOCKWISE ROTATION IS OBSERVED,
SWITCH ANY TWO OF THESE THREE.

M9035-4.2.A
REV.C 6/07

K-PAC EQUIPMENT DIVISION

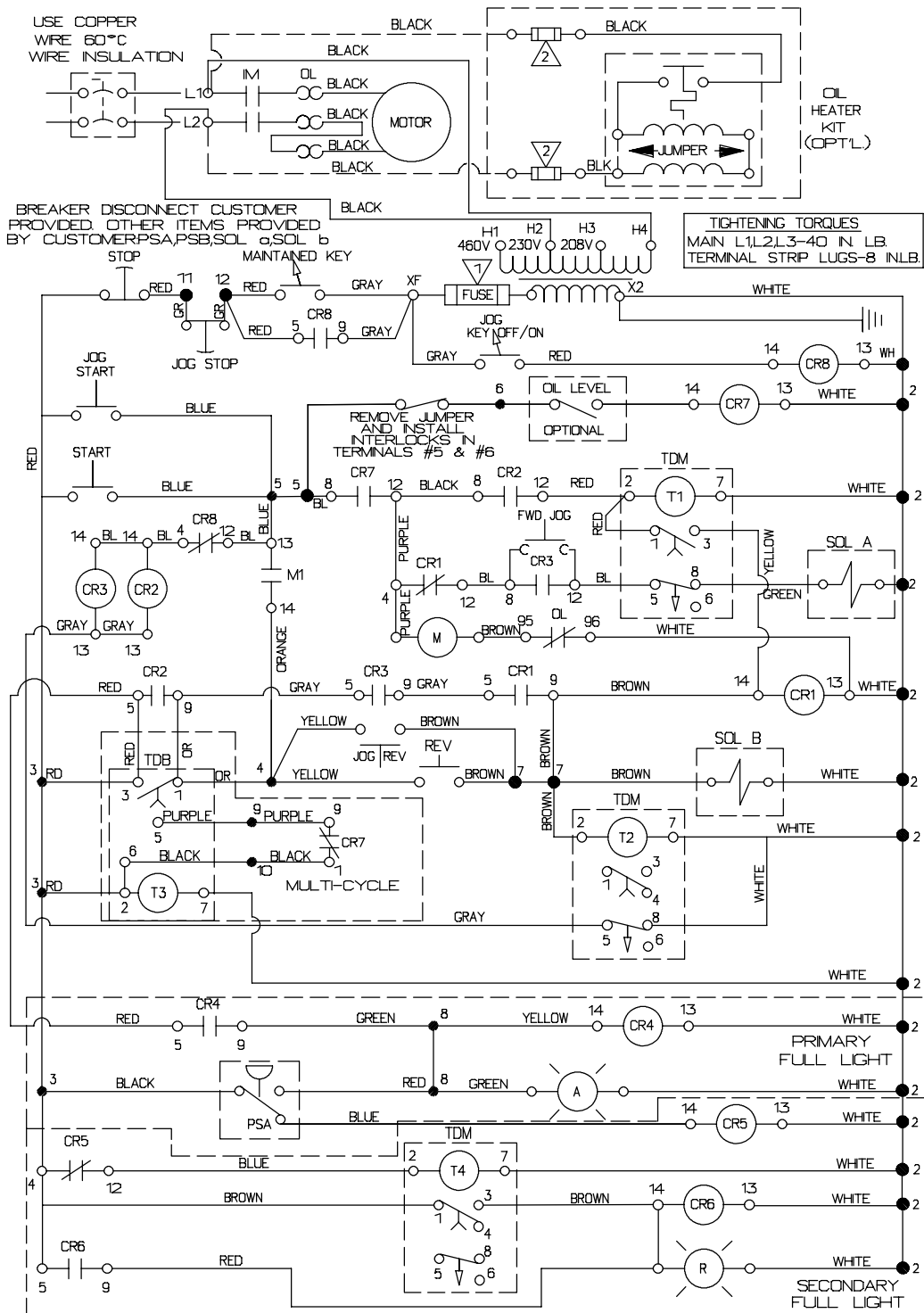
KRAUSE CORPORATION, INC.

10 HP, 1 PHASE, 60 HZ (BY-PASS)

220 VOLT, SINGLE PHASE, 50 AMPS, 60 HZ

CONTROL VOLTS 115

MULTI-CYCLE, LIGHT, LIGHT ELECTRICAL SCHEMATIC (OIL HEATER, OIL LEVEL OPTIONAL)



⚠️ STANDARD: BUSS 250V,FNM 16 OR EQUIVALENT ⚠️ OIL HEATER: BUSS 600V,BAF 8 AMP

NOTE: MOTOR ROTATION MUST BE CLOCKWISE. CONNECT POWER LEADS TO L1,L2 .
CHECK ROTATION OF MOTOR. IF COUNTER-CLOCKWISE ROTATION IS OBSERVED,
REWIRE AS INSTRUCTED ON MOTOR NAME PLATE.

M9035-47A
REV. C 6/07

K-PAC EQUIPMENT DIVISION

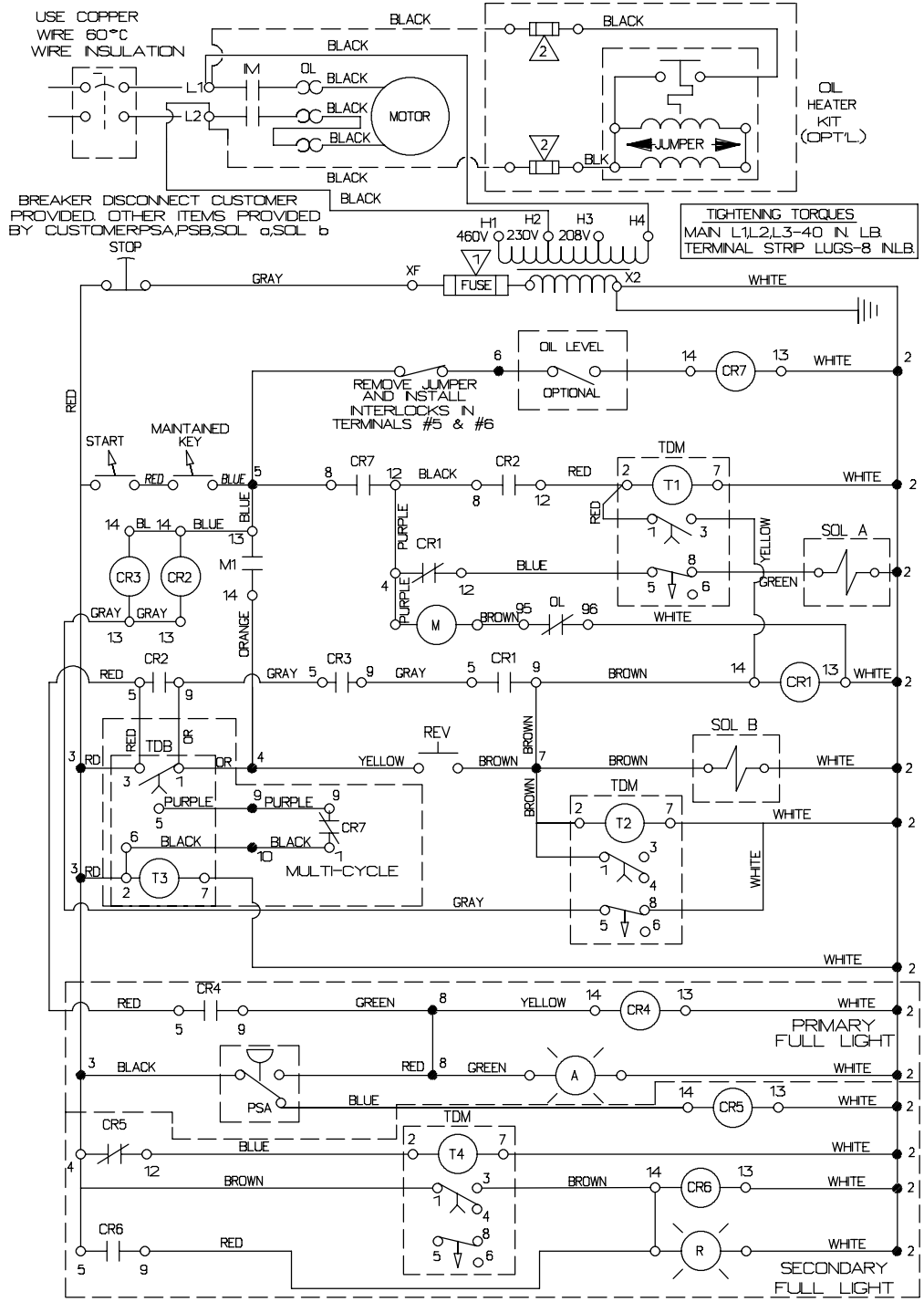
KRAUSE CORPORATION, INC.

10 HP, 1 PHASE, 60 HZ (BY-PASS)

220 VOLT, SINGLE PHASE, 50 AMPS, 60 HZ

CONTROL VOLTS 115

MULTI-CYCLE, LIGHT, LIGHT ELECTRICAL SCHEMATIC (OIL HEATER, OIL LEVEL OPTIONAL)

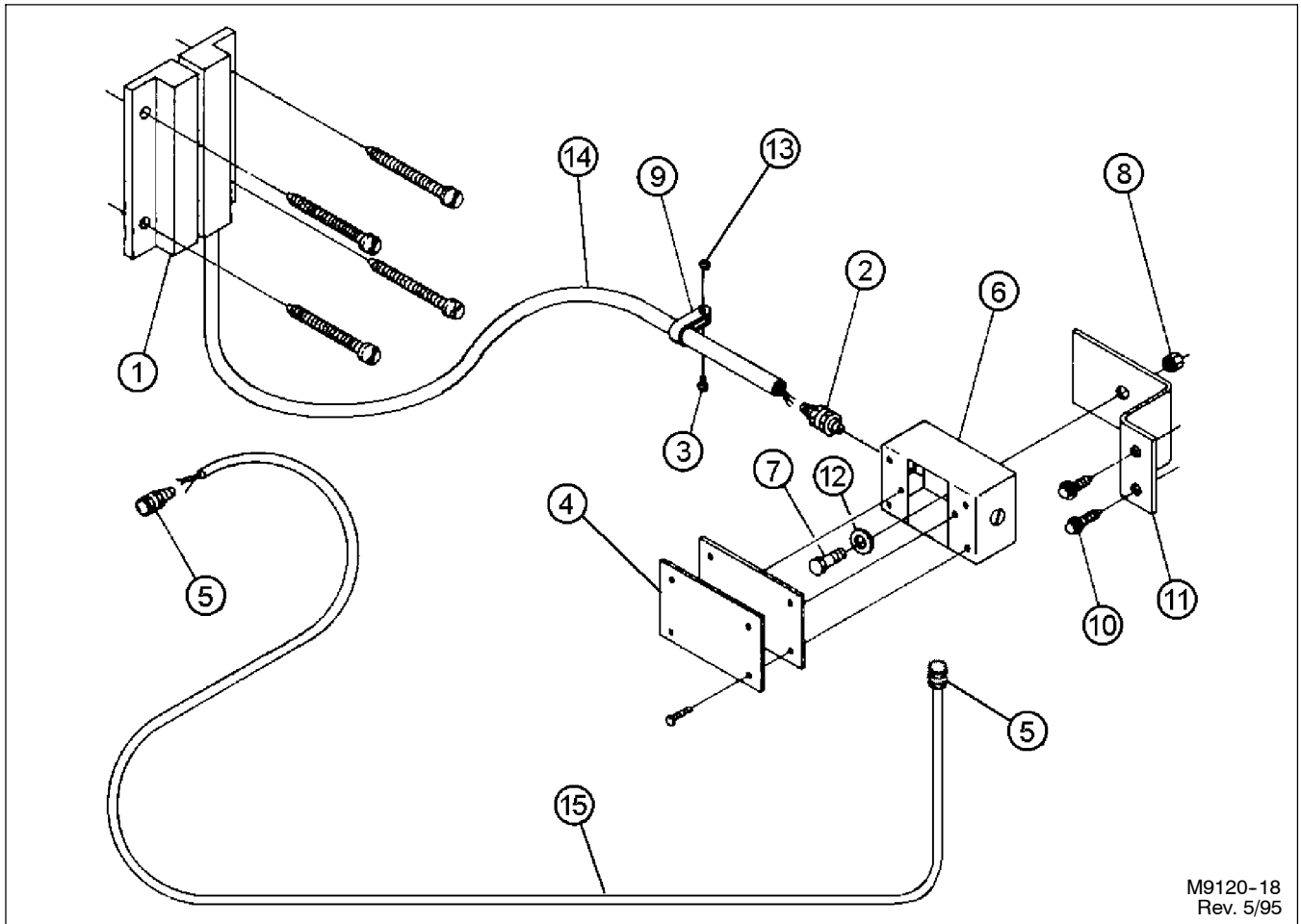


① STANDARD: BUSS 250V, FNM 16 OR EQUIVALENT ② OIL HEATER: BUSS 600V, BAF 8 AMP

NOTE: MOTOR ROTATION MUST BE CLOCKWISE. CONNECT POWER LEADS TO L1, L2.
CHECK ROTATION OF MOTOR. IF COUNTER-CLOCKWISE ROTATION IS OBSERVED,
REWIRE AS INSTRUCTED ON MOTOR NAME PLATE.

M9035-40E
REVE 6/07

ELECTRIC INTERLOCK ASSEMBLY



M9120-18
Rev. 5/95

FOR MODELS - FRONT DOOR & SIDE DOOR MODELS

10/98

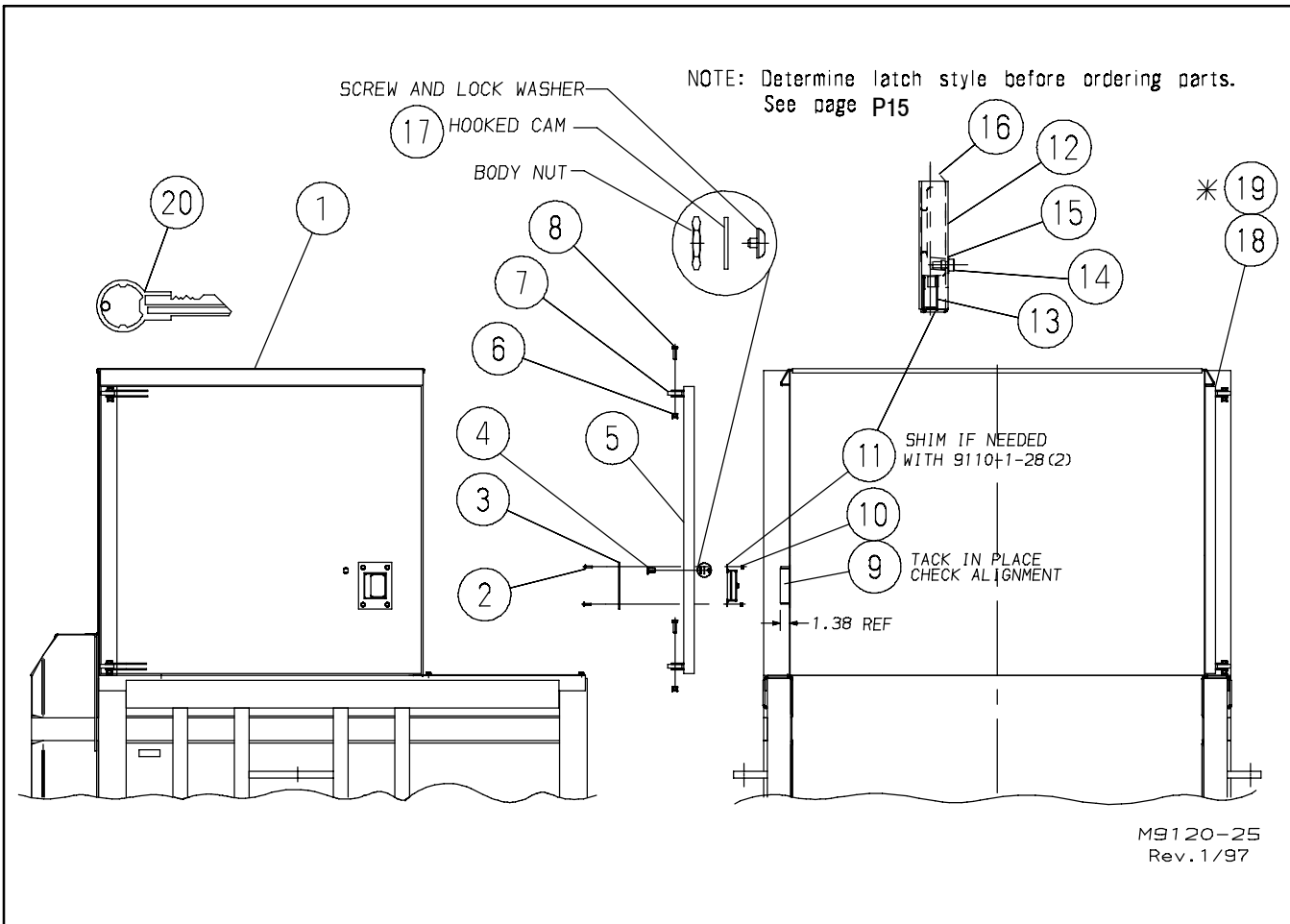
Item	Part Number	Part Description	Qty.
1	★ 79-272	Guard Switch Assembly (Metal Housing) - Front Door	2
	★ 79-272	Guard Switch Assembly (Metal Housing) - Side Door	1
	★ 79-483	Guard Switch Assembly (Plastic Housing)	1
2	79-273	1/2" Pipe Liquitite - 3/8" Cord Adapter	1
3	62-431	#10NC x 5/8" Round Head Slotted Machine Screw	1
4	79-416	Cover Plate (Includes Gasket)	1
5	79-283	1/2NPT Straight Liquitite Adapter	2
6	79-277	Connector Box	1
7	62-436	3/8NC x 1-1/4" GD.5 Cap Screw	1
8	63-103	3/8NC Self Locking Nut	1
9	79-281	Cable Clamp	4
10	62-425	3/8NC x 3/4" Hex Washer Thread Cutting Screw	2
11	9035-37-1	Mounting Plate	1
12	64-104	3/8" STD. Flat Washer	1
13	63-160	#10NC Nylon-Top Lock Nut	1
14	9000-60-197	Black Electric Wire - 197"	2
15	■ 79-196	1/2" Waterproof Conduit - 180"	1
16	62-528	#10 x 1/2" Hex Washer Thread Cutting Screw (Not Shown)	3
17	● 74-322	Decal - Warning Electric Interlock	1
18	● 74-323	Decal - Notice Must Close Doors	2

★ IMPORTANT: Because of mounting differences be sure to order same type (metal or plastic) as previously used.

● See page P20 for location

■ This is a bulk quantity item. You must specify length required when ordering.

SIDE DOOR HOPPER GROUP



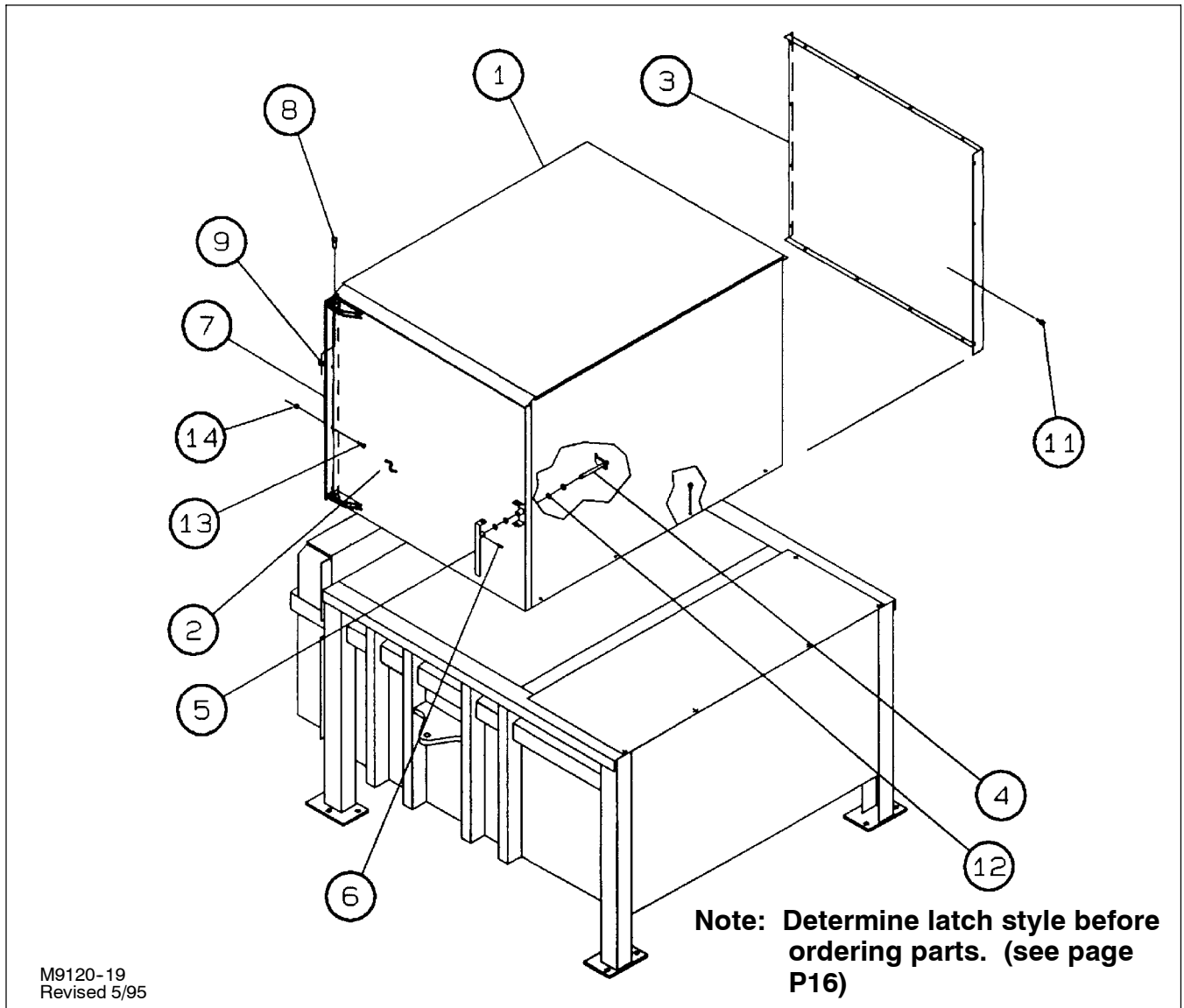
FOR MODELS - Stationary Models

1/97

Item	Part Number	Part Description	Qty.
1	9120-34-0A	Side Door Hopper Weldment	1
2	62-657	1/4NC x 1" Carriage Bolt	4
3	9110-1-27	Latch Cover Plate	1
4	82-229	Lock Assembly w/Keys	1
5	9110-137-0	Left Side Door Weldment	1
6	★ 63-107	1/2NC Lock Nut	2
7	★ 9035-31-2	Lug	2
8	★ 62-569	1/2NC x 1-1/2" GD.5 Cap Screw	2
9	★ 9035-138-0	Striker Weldment	1
10	★ 63-164	1/4NC Nylon-Top Lock Nut	4
11	★ 9110-28-0	Latch Assembly	1
12	9110-1-26	Latch Housing	1
13	76-209	Spring	1
14	62-670	3/8NC x 3/8" Hex Socket Head Shoulder Screw	1
15	64-165	3/8"SAE Flat Washer	1
16	9110-1-25	Latch	1
17	★ 9110-1-29	Hooked Cap, Machined	1
18	★ 9035-138-0	Right Side Door Weldment	1
19	★ 9035-35-1	Side Panel	1
20	79-387	Key	1

★ If Single Door Hopper, use 9035-35-1, If Double Door use 9035-138-0. Increase latch parts as needed. Latch parts listed for single door only.

SIDE DOOR HOPPER

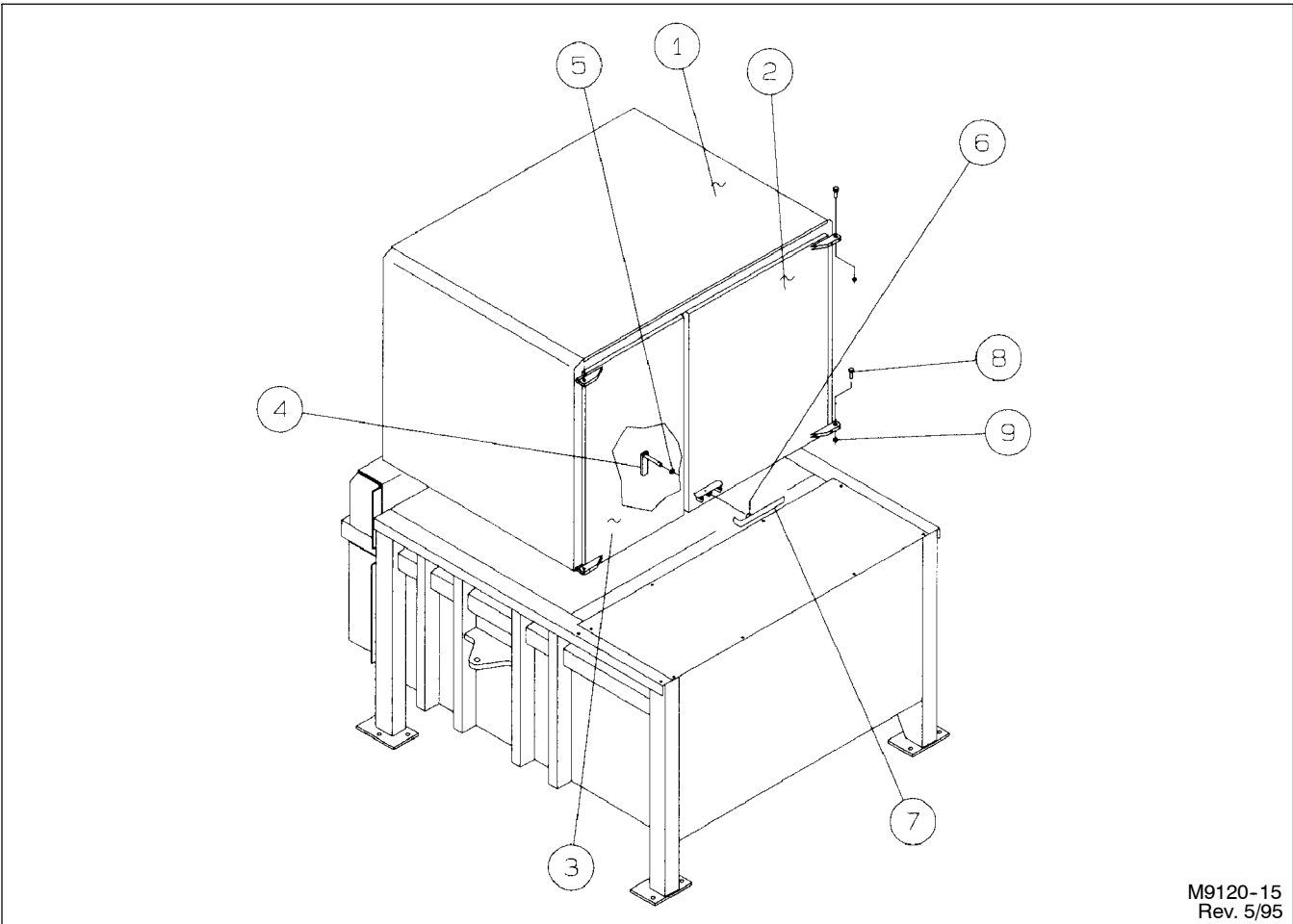


FOR MODELS - Stationary Models

10/98

Item	Part Number	Part Description	Qty.
1	9120-34-0	Dog House Weldment	1
2	9035-30-0	Door Weldment	1
3	9035-35-1	Side Panel	1
4	9035-33-0	Latch Weldment	1
5	9035-32-0	Handle Weldment	1
6	60-604	1/4" DIA. x 1-1/4" Roll Pin	1
7	9035-31-0	Hinge Weldment	1
8	62-569	1/2NC x 1-1/2" GD.5 Cap Screw	2
9	63-107	1/2NC Self Locking Nut	2
10			
11	62-425	3/8NC x 3/4" Hex Washer Thread Cutting Screw	16
12	64-152	Machinery Bushing (Use as needed)	4
13	62-436	3/8NC x 1-1/4" GD.5 Cap Screw	8
14	63-103	3/8NC Self Locking Nut	8

FRONT DOOR HOPPER GROUP



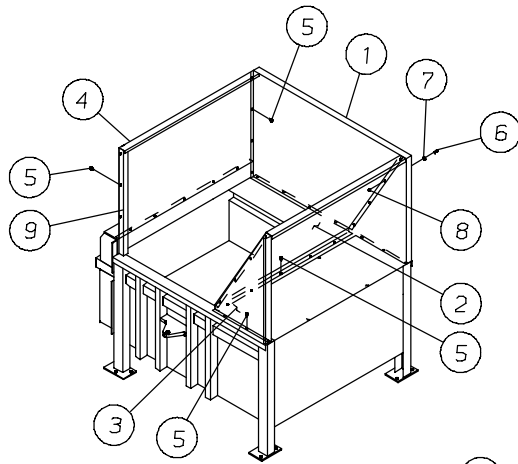
M9120-15
Rev. 5/95

FOR MODELS - 9120 Stationary

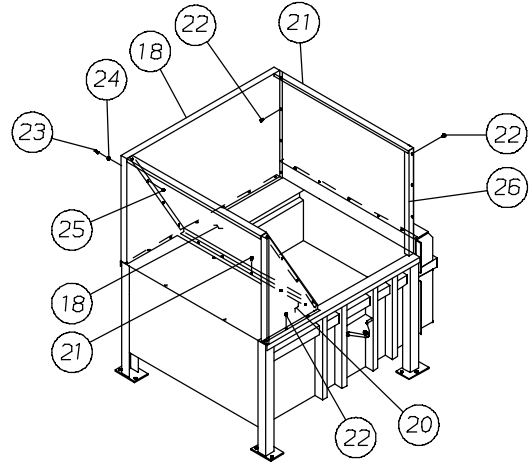
10/98

<i>Item</i>	<i>Part Number</i>	<i>Part Description</i>	<i>Qty.</i>
1	9120-42-0	Dog House Weldment	1
2	9035-51-0	Front Door Weldment	1
3	9120-39-0	Door Weldment	1
4	9035-54-0	Latch Weldment	1
5	64-152	Machinery Bushing (use as needed)	2
6	60-604	1/4" DIA. x 1-1/4" Roll Pin	1
7	9035-32-0	Handle Weldment	1
8	62-569	1/2NC x 1-1/2" GD.5 Cap Screw	4
9	63-107	1/2NC Self Locking Nut	4

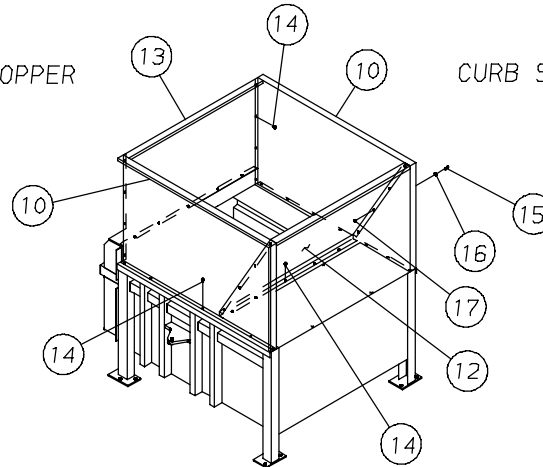
TOP LOAD, STREET SIDE & CURB SIDE HOPPERS



STREET SIDE HOPPER



CURB SIDE HOPPER

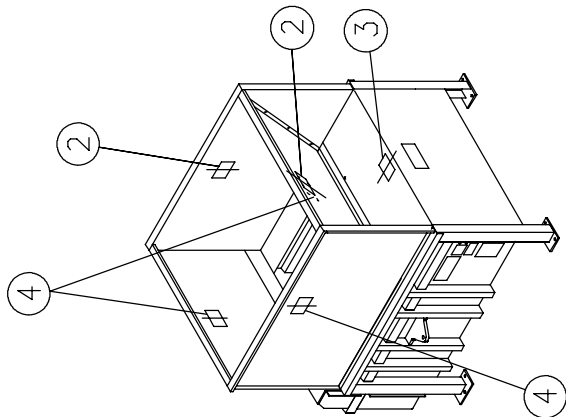


TOP LOAD HOPPER

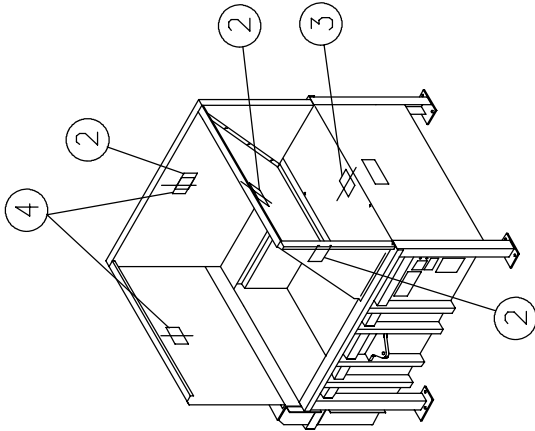
REV. 10/98
M9120-23

Item	Part Number	Part Description	Qty.
1	9035-63-2	Right Side Panel	1
2	9120-63-3	Front Panel	1
3	9035-65-1	Left Support	1
4	9120-63-5	End Panel	1
5	62-425	Hex Washer Thread Cutting Screw	27
6	62-108	3/8NC x 1" GD.5 Cap Screw	8
7	64-104	3/8" STD. Flat Washer	8
8	63-103	3/8NC Self Locking Nut	8
9	17-1316	Tube	1
10	9035-63-1	Left Side Panel	1
11	9035-63-2	Right Side Panel	1
12	9120-63-3	Front Panel	1
13	9120-63-5	End Panel	1
14	62-425	Hex Washer Thread Cutting Screw	27
15	62-108	3/8NC x 1" GD.5 Cap Screw	8
16	64-104	3/8" STD. Flat Washer	8
17	63-103	3/8NC Self Locking Nut	8
18	9035-63-1	Left Side Panel	1
19	9120-63-3	Front Panel	1
20	9035-65-2	Right Support	1
21	9120-63-5	End Panel	1
22	62-425	Hex Washer Thread Cutting Screw	19
23	62-108	3/8NC x 1" GD.5 Cap Screw	8
24	64-104	3/8" STD. Flat Washer	8
25	63-103	3/8NC Self Locking Nut	8
26	17-1316	Tube	1

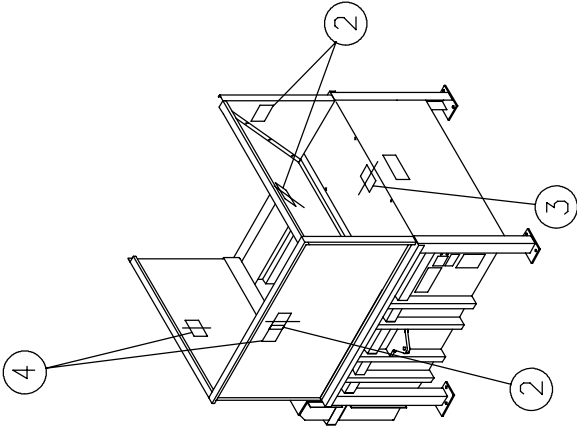
TOP LOAD HOPPER



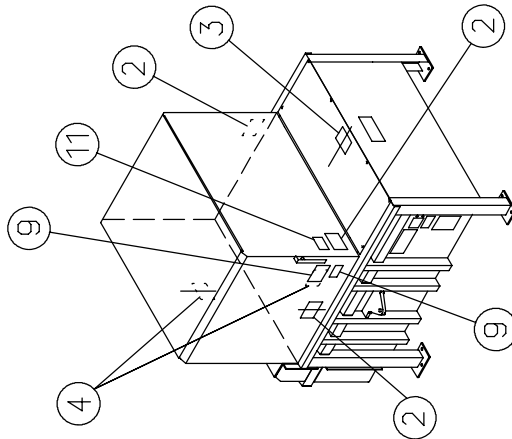
STREET SIDE HOPPER



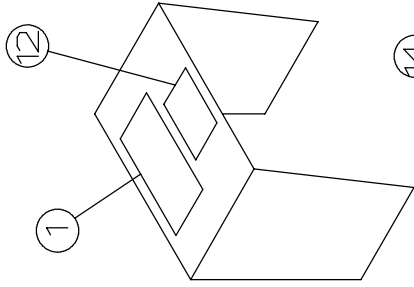
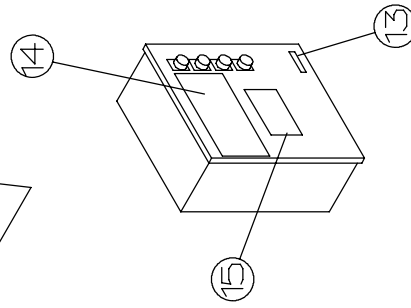
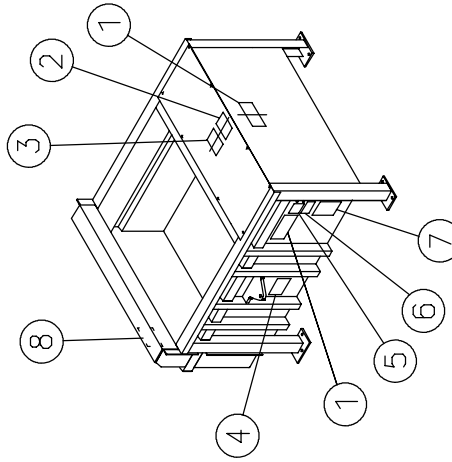
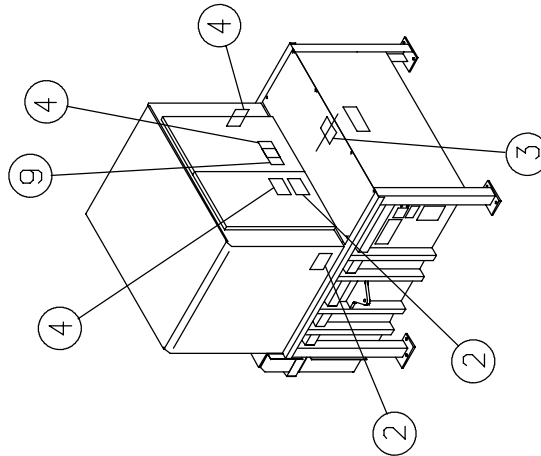
CURB SIDE HOPPER



SIDE DOOR HOPPER



FRONT DOOR HOPPER



This page intentionally left blank.